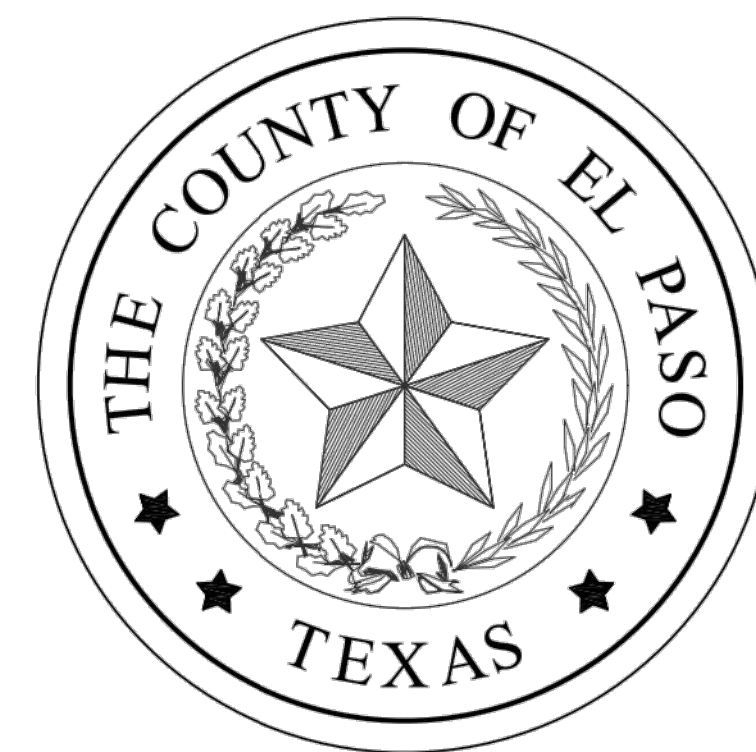
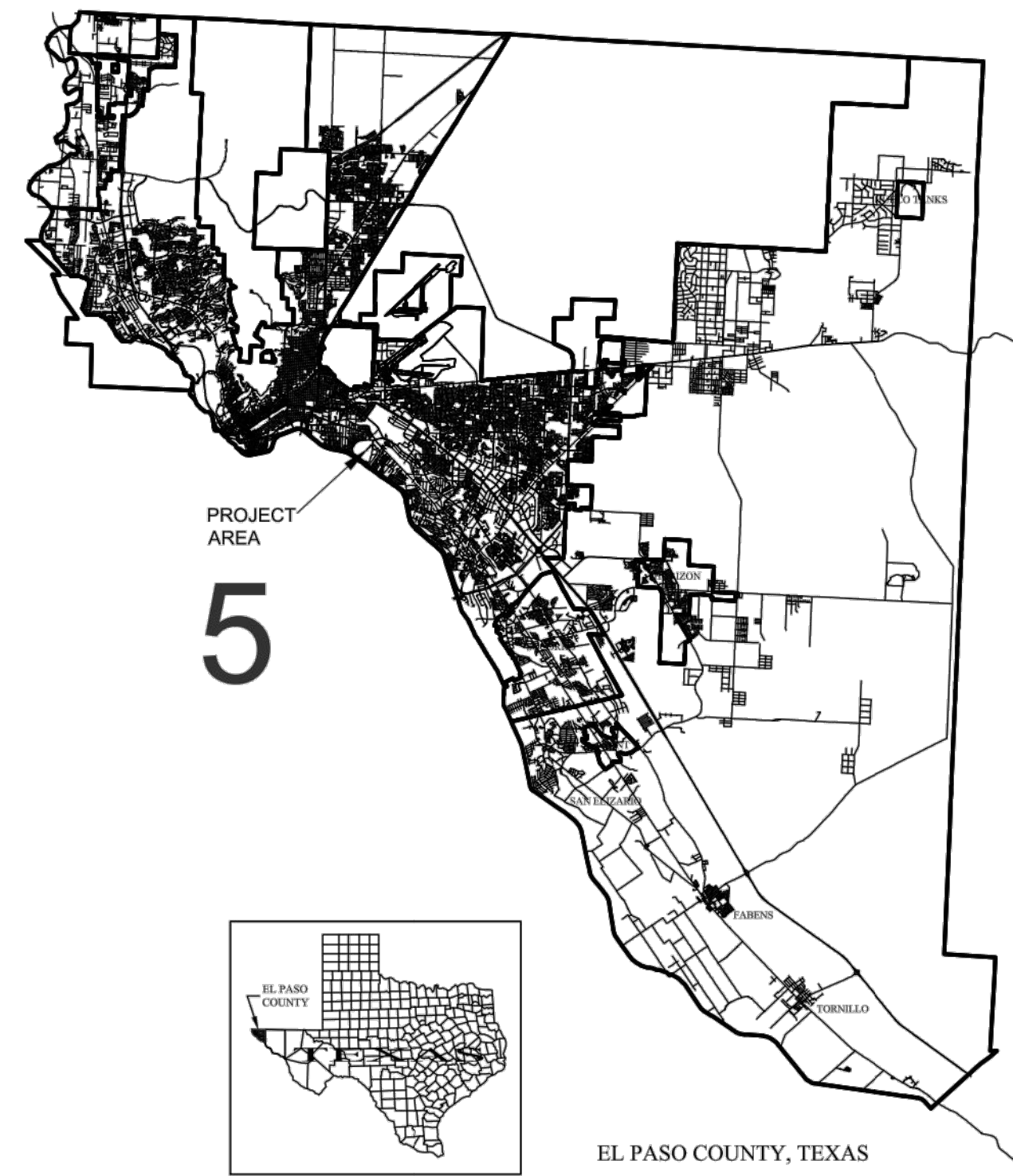


# COUNTY OF EL PASO HEALING GARDEN MEMORIAL

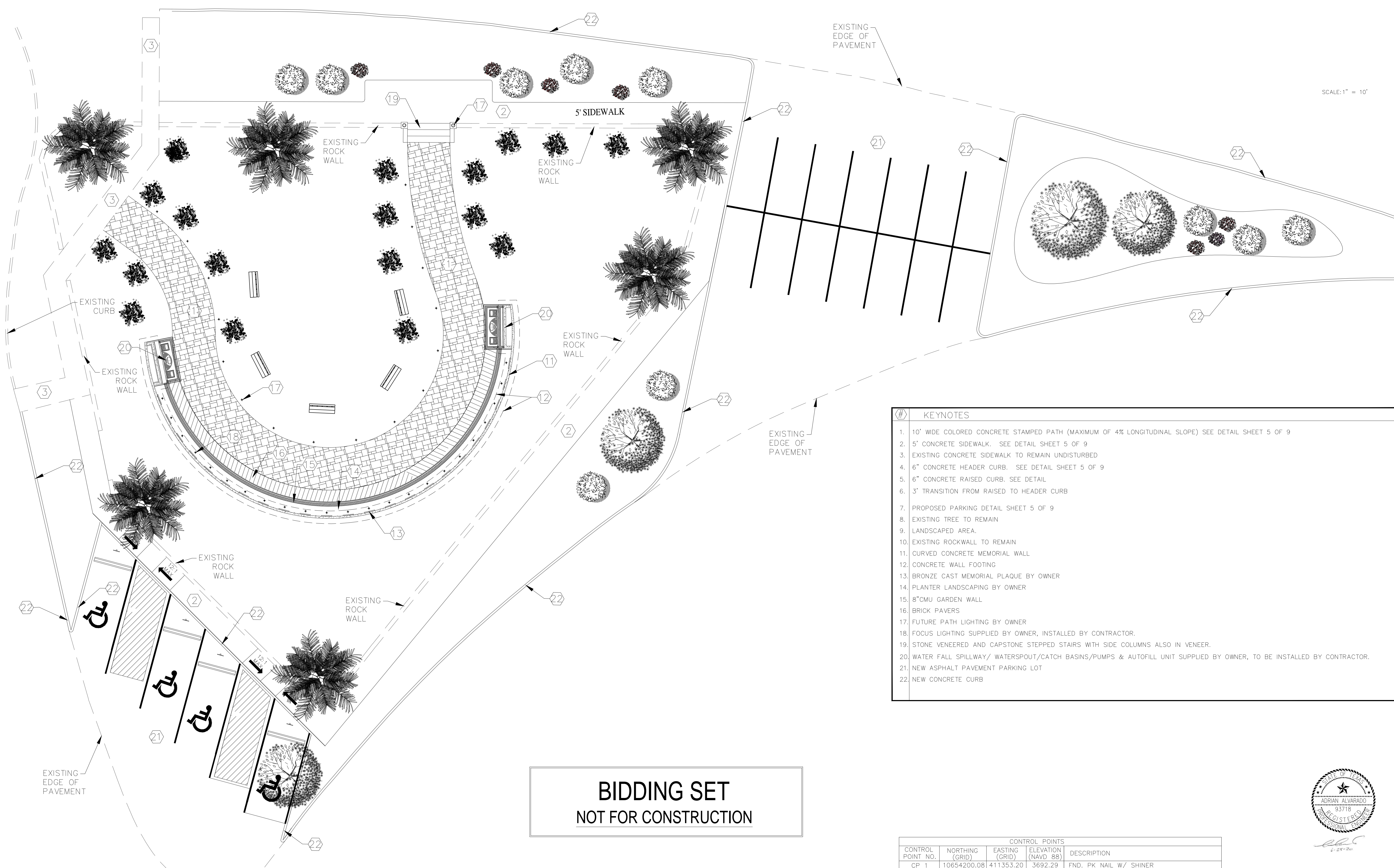


## INDEX OF SHEETS

DESCRIPTION	SHEET NO.
COVER SHEET	0
SITE PLAN	1
HORIZONTAL CONTROL PLAN	2
ELEVATIONS	3
UTILITY PLAN	4
DETAILS	5
DETAILS	6







**BIDDING SET  
NOT FOR CONSTRUCTION**

- KEYNOTES**
1. 10' WIDE COLORED CONCRETE STAMPED PATH (MAXIMUM OF 4% LONGITUDINAL SLOPE) SEE DETAIL SHEET 5 OF 9
  2. 5' CONCRETE SIDEWALK. SEE DETAIL SHEET 5 OF 9
  3. EXISTING CONCRETE SIDEWALK TO REMAIN UNDISTURBED
  4. 6" CONCRETE HEADER CURB. SEE DETAIL SHEET 5 OF 9
  5. 6" CONCRETE RAISED CURB. SEE DETAIL
  6. 3' TRANSITION FROM RAISED TO HEADER CURB
  7. PROPOSED PARKING DETAIL SHEET 5 OF 9
  8. EXISTING TREE TO REMAIN
  9. LANDSCAPED AREA.
  10. EXISTING ROCKWALL TO REMAIN
  11. CURVED CONCRETE MEMORIAL WALL
  12. CONCRETE WALL FOOTING
  13. BRONZE CAST MEMORIAL PLAQUE BY OWNER
  14. PLANTER LANDSCAPING BY OWNER
  15. 8" CMU GARDEN WALL
  16. BRICK PAVERS
  17. FUTURE PATH LIGHTING BY OWNER
  18. FOCUS LIGHTING SUPPLIED BY OWNER, INSTALLED BY CONTRACTOR.
  19. STONE VENEERED AND CAPSTONE STEPPED STAIRS WITH SIDE COLUMNS ALSO IN VENEER.
  20. WATER FALL SPILLWAY/ WATERSPOUT/CATCH BASINS/PUMPS & AUTOFILL UNIT SUPPLIED BY OWNER, TO BE INSTALLED BY CONTRACTOR.
  21. NEW ASPHALT PAVEMENT PARKING LOT
  22. NEW CONCRETE CURB

CONTROL POINTS				
CONTROL POINT NO.	NORTHING (GRID)	EASTING (GRID)	ELEVATION (NAVD 88)	DESCRIPTION
CP 1	10654200.08	411353.20	3692.29	FND. PK NAIL W/ SHINER



**COUNTY OF EL PASO  
PUBLIC WORKS DEPARTMENT**

**ASCARATE PARK MEMORIAL  
6900 Delta Drive**

PROJECT NAME

SCALE: 1" = 10'

DATE: \_\_\_\_\_  
DESIGN BY: \_\_\_\_\_  
DRAWN BY: \_\_\_\_\_  
CHECKED BY: \_\_\_\_\_  
APPD. BY: \_\_\_\_\_

REFERENCES: --- BENCHMARKS

DATE: \_\_\_\_\_  
REVISIONS: \_\_\_\_\_  
BY: \_\_\_\_\_

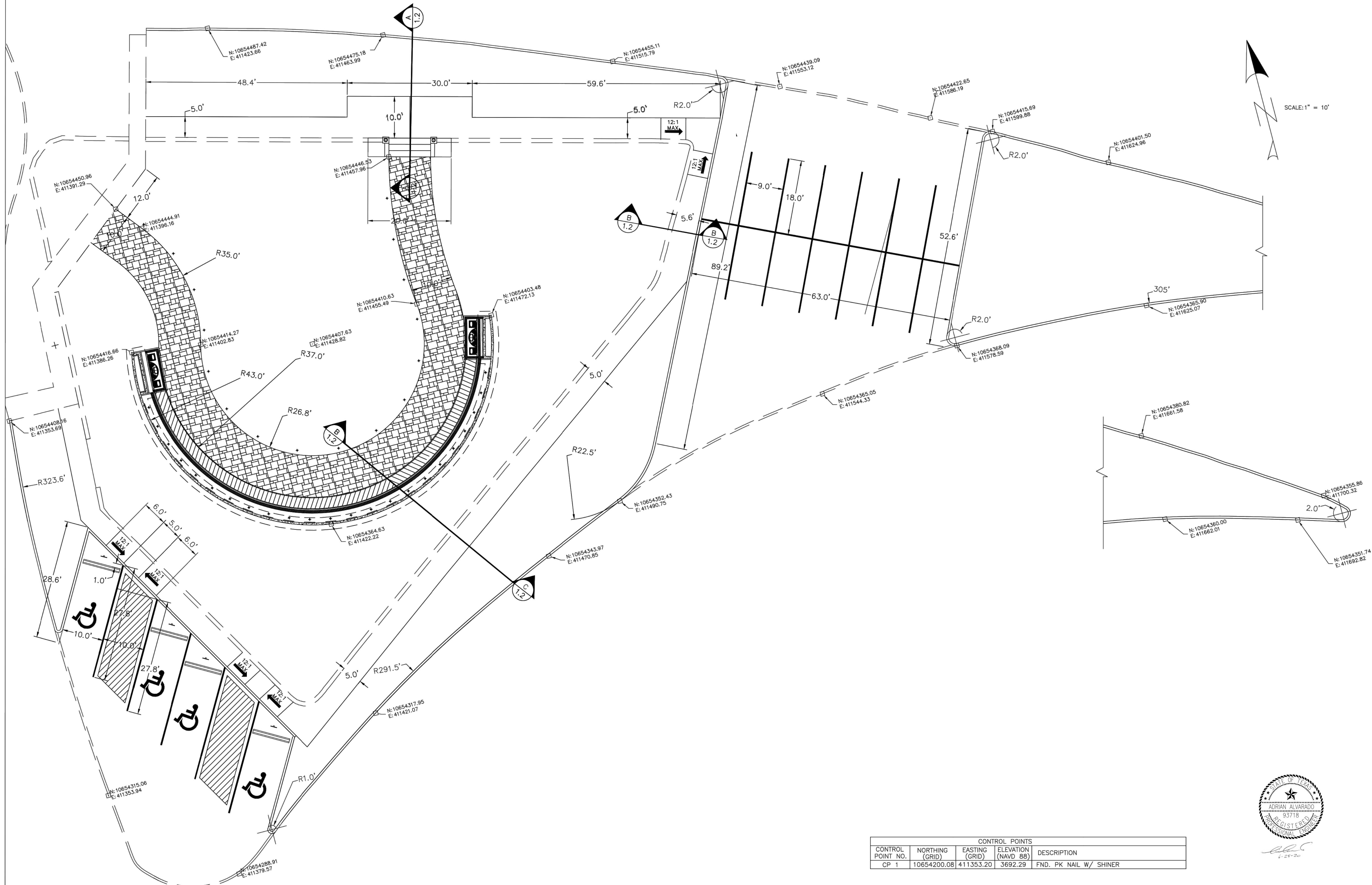
SHEET TITLE

**SITE PLAN**

SHEET  
**1** OF **6**



# COUNTY OF EL PASO HEALING GARDEN



REFERENCES	BENCHMARKS
DATE	REVISIONS
BY	

SCALE:	
HOR. VER.	
DATE	BY
DRAWN BY	L.G.A.
CHECKED BY	
APP'D. BY	

PROJECT NAME  
**ASCARATE PARK MEMORIAL**  
 6900 Delta Drive

COUNTY OF EL PASO  
 PUBLIC WORKS DEPARTMENT

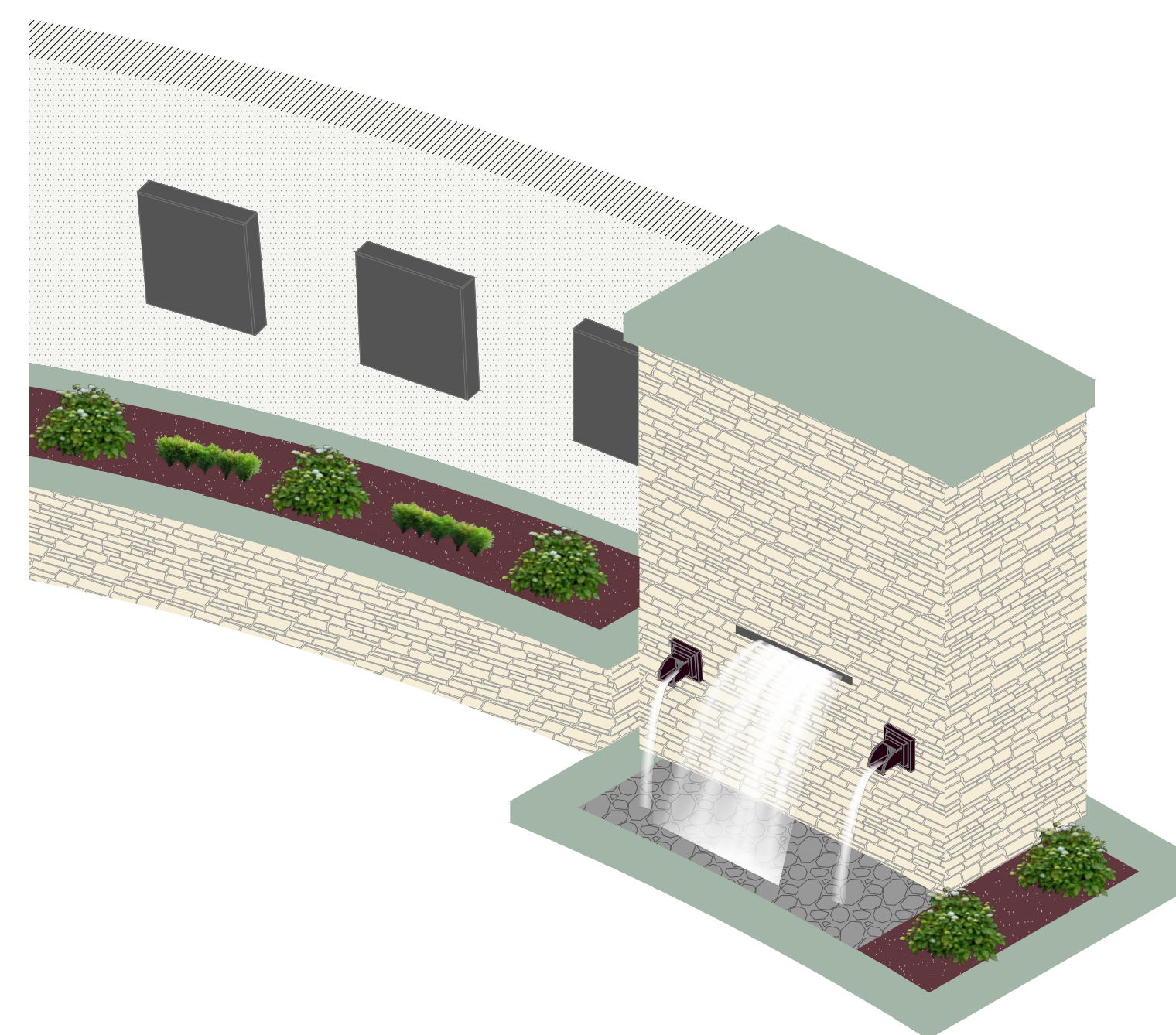
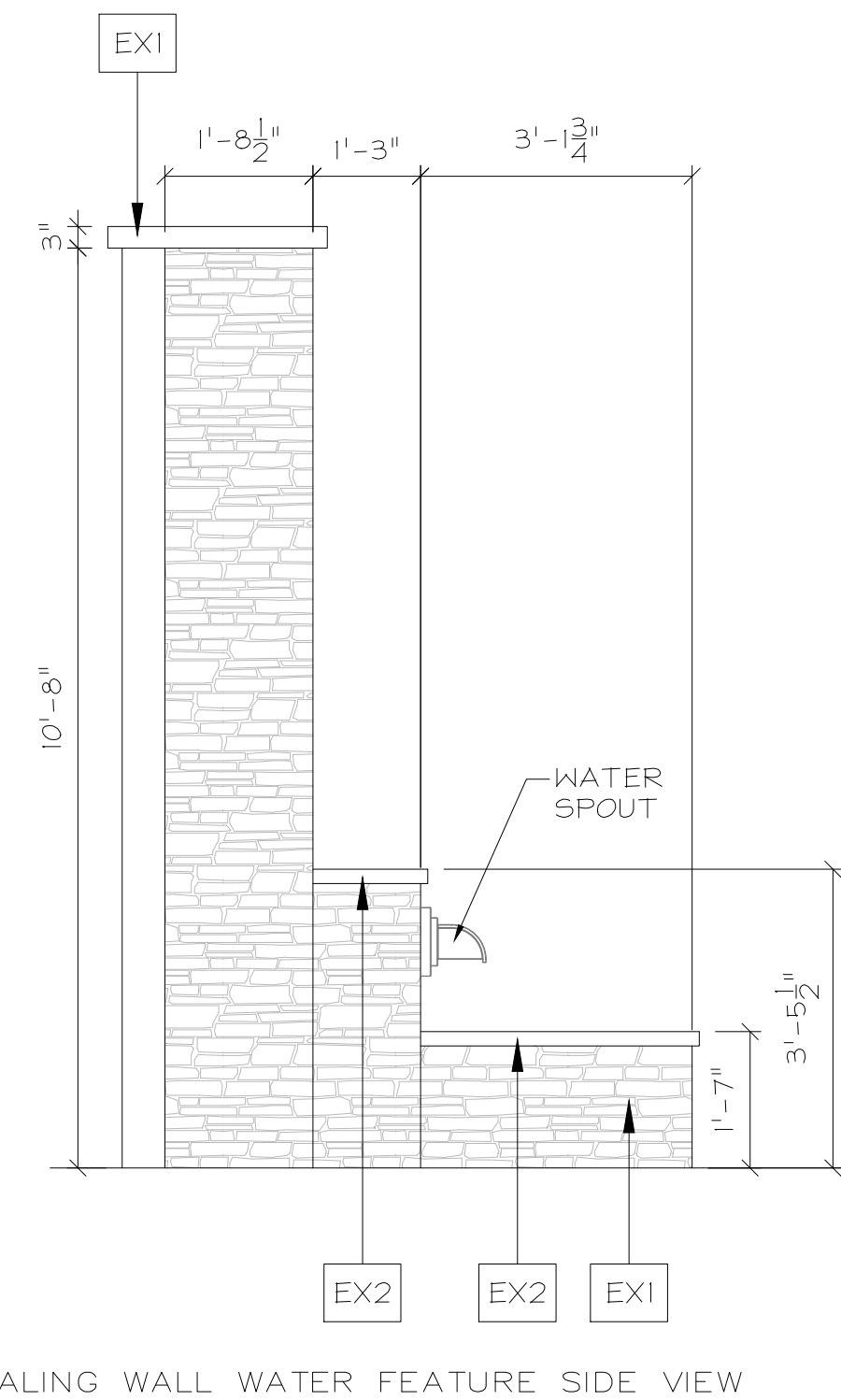
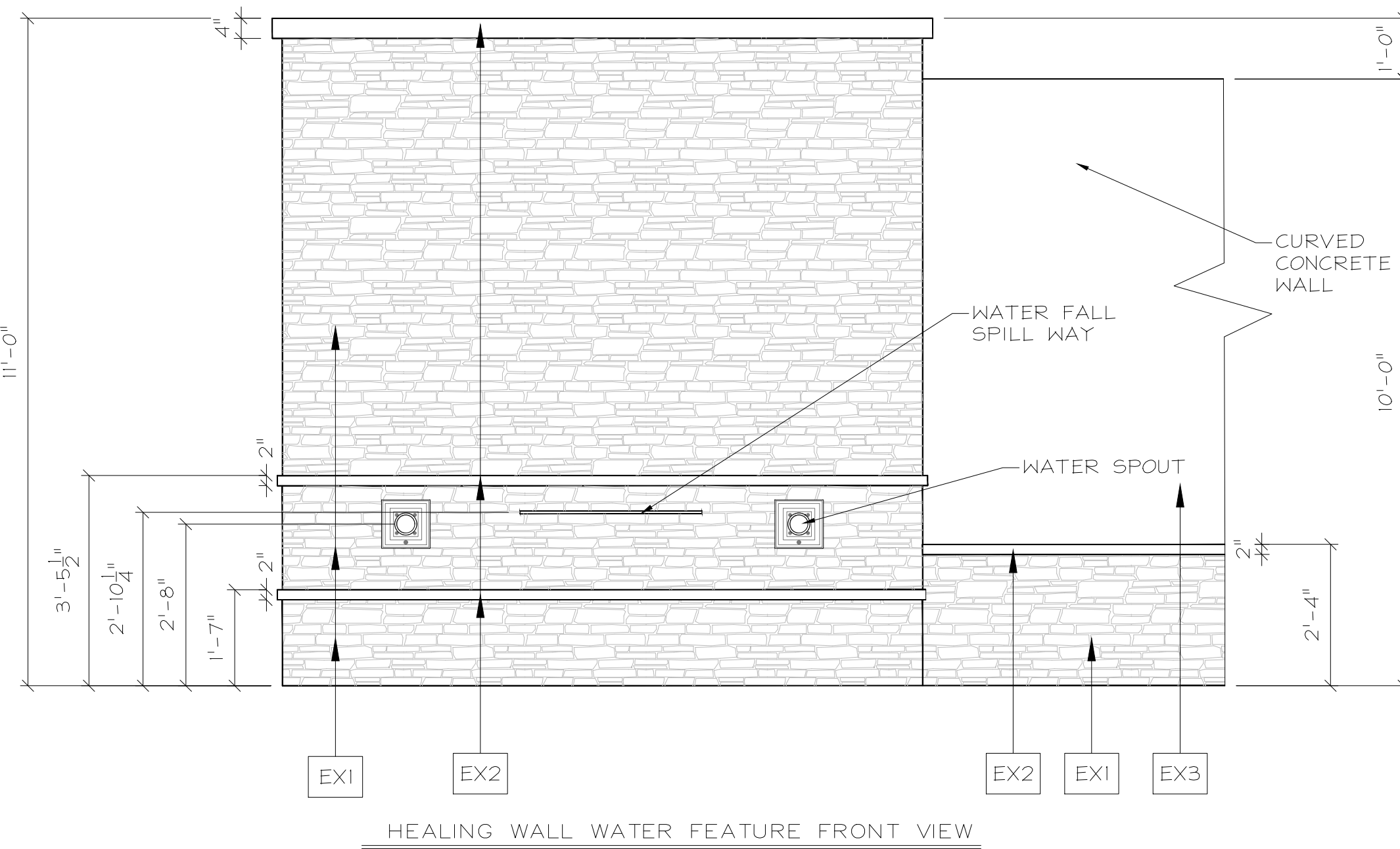
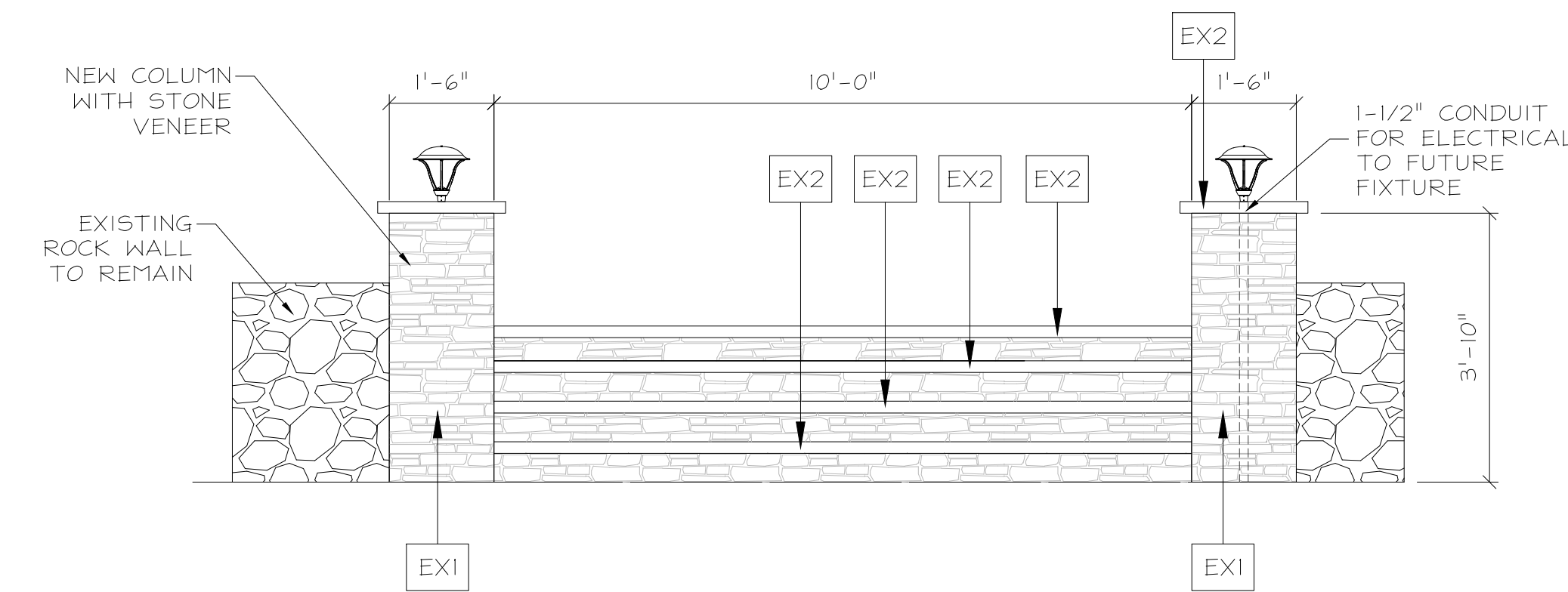
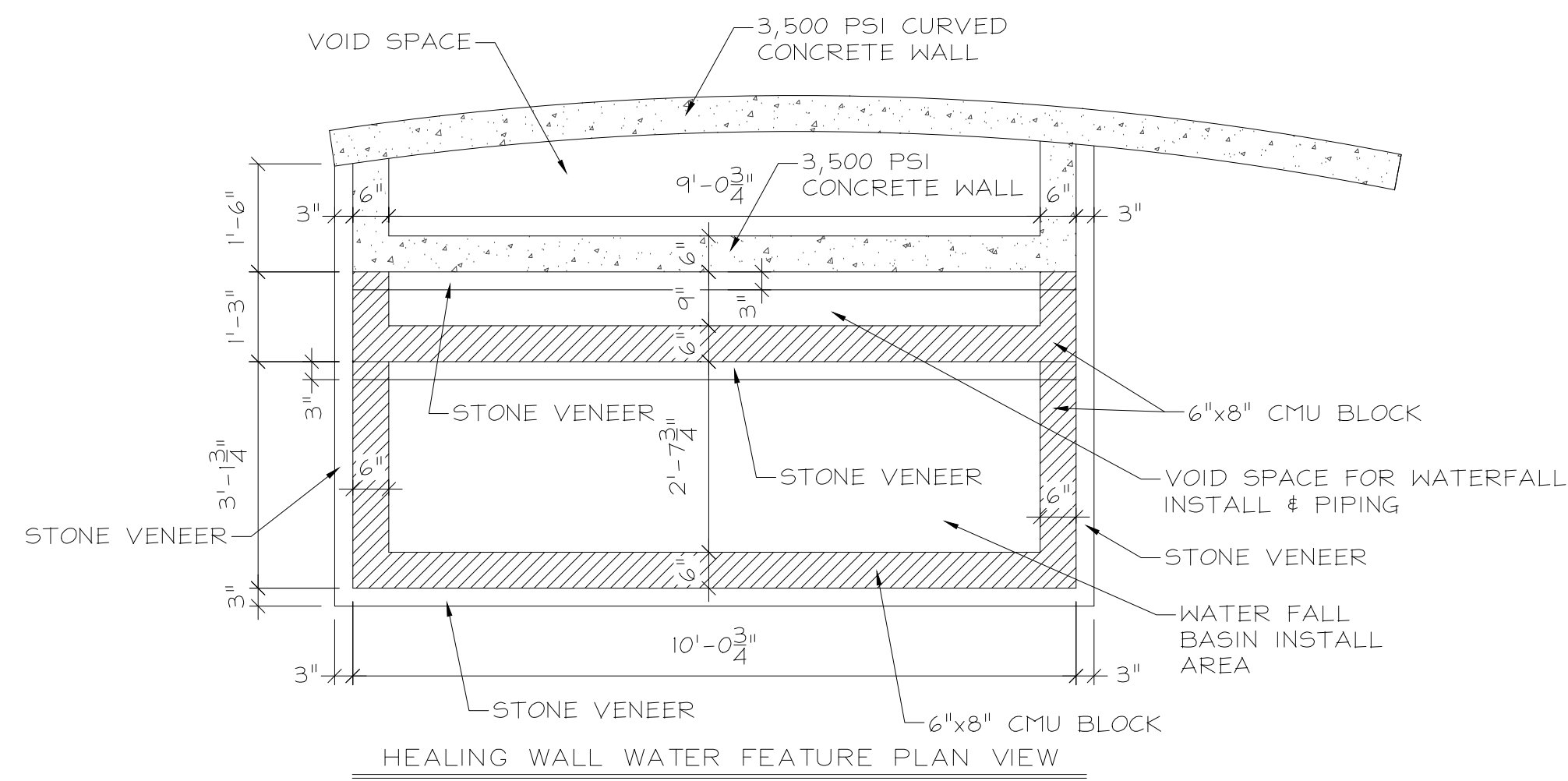


SHEET TITLE  
**HORIZONTAL CONTROL PLAN**

CONTROL POINTS			
CONTROL POINT NO.	NORTHING (GRID)	EASTING (GRID)	ELEVATION (NAVD 88)
CP 1	10654200.08	411353.20	3692.29







CONVENIENCE STORE EXTERIOR FINISH SCHEDULE			
CODE	DESCRIPTION	COLOR	MANUFACTURER CONTACT
EX1	ARCHITECTURAL STONE VENEER	COLOR: SOUTHWEST BLEND SERIES: PRO-FIT LEDGESTONE	CULTURED STONE (THRU BORAL) ANDREW FORD 314.704.4509
EX2	CONCRETE CAP STONE	COLOR: NATURAL CONCRETE	
EX3	POLISHED CAST IN PLACE CONCRETE		

EXTERIOR GENERAL NOTES

- 1) CONSULT LOCAL CONTRACTOR FOR STANDARD MATERIALS.
- 2) CONSULT OWNER FOR COLOR VERIFICATION.
- 3) MATERIALS MAY NOT BE SUBSTITUTED WITHOUT PERMISSION FROM OWNER.
- 4) GENERAL CONTRACTOR TO FIELD VERIFY ALL EXTERIOR ELEVATIONS FOR ACCURATE DIMENSIONS.
- 5) GENERAL CONTRACTOR VERIFY ALL COLORS PRIOR TO CONSTRUCTION OR APPLICATION AND PROVIDE SAMPLES TO OWNER FOR REVIEW.

REFERENCES: --- BENCHMARKS: ---

SCALE: HOR: 1/2"=1'-0" VER: 1/2"=1'-0"

DATE: \_\_\_\_\_ DESIGN BY: \_\_\_\_\_ DRAWN BY: \_\_\_\_\_ CHD. BY: \_\_\_\_\_ APPD. BY: \_\_\_\_\_

PROJECT NAME: **ASCARATE PARK MEMORIAL**  
6900 Delta Drive

COUNTY OF EL PASO  
PUBLIC WORKS DEPARTMENT

SHEET TITLE: **ELEVATIONS**

SHEET: **3** OF **6**

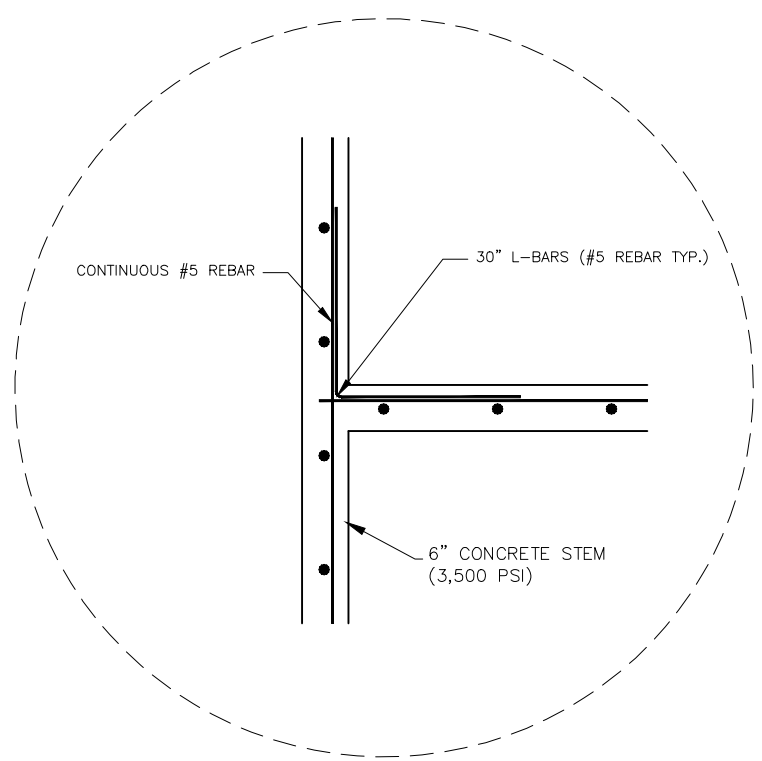
REGISTERED PROFESSIONAL ENGINEER  
ADRIAN ALVARADO  
93718







1. CONCRETE F'C=3500 PSI @ 28 DAYS
2. REINFORCED STEEL ASTM A615  
FY=60,000 PSI
3. ALLOWABLE SOIL BEARING RESSURE  
1800 PSI MINIMUM
4. WALL FOOTING SHALL BEAR ON  
COMPACTED OR FIRM UNDISTURBED  
GROUND
5. BACKFILL MATERIAL SHALL  
CONSIST OF WELL DRAINED,  
COARSE GRAINED SOILS, OR FINE  
SILTY SANDS WITH NO CLAY  
CONTENT.
6. BACKFILLING AGAINST CONCRETE  
WALL SHALL NOT BE PERMITTED  
UNTIL THE CONCRETE HAS REACHED  
28 DAY STRENGTH.
7. USE SONOMERIC SEALANT WHERE  
CONCRETE WALL MEETS NEW  
ASPHALTIC PAVEMENT.
8. SUBGRADE UNDER FOOTING  
STRUCTURE SHALL BE COMPACTED  
TO 95% MAXIMUM DRY DENSITY AS  
DETERMINED BY ASTM D-1557.
9. MINIMUM LAP SPLICE LENGTHS AND  
HOOKED BAR EMBEDMENTS SHALL  
BE 24 INCHES.



CONCRETE WALL CORNER DETAIL  
SCALE: 1/2"=1'-0"

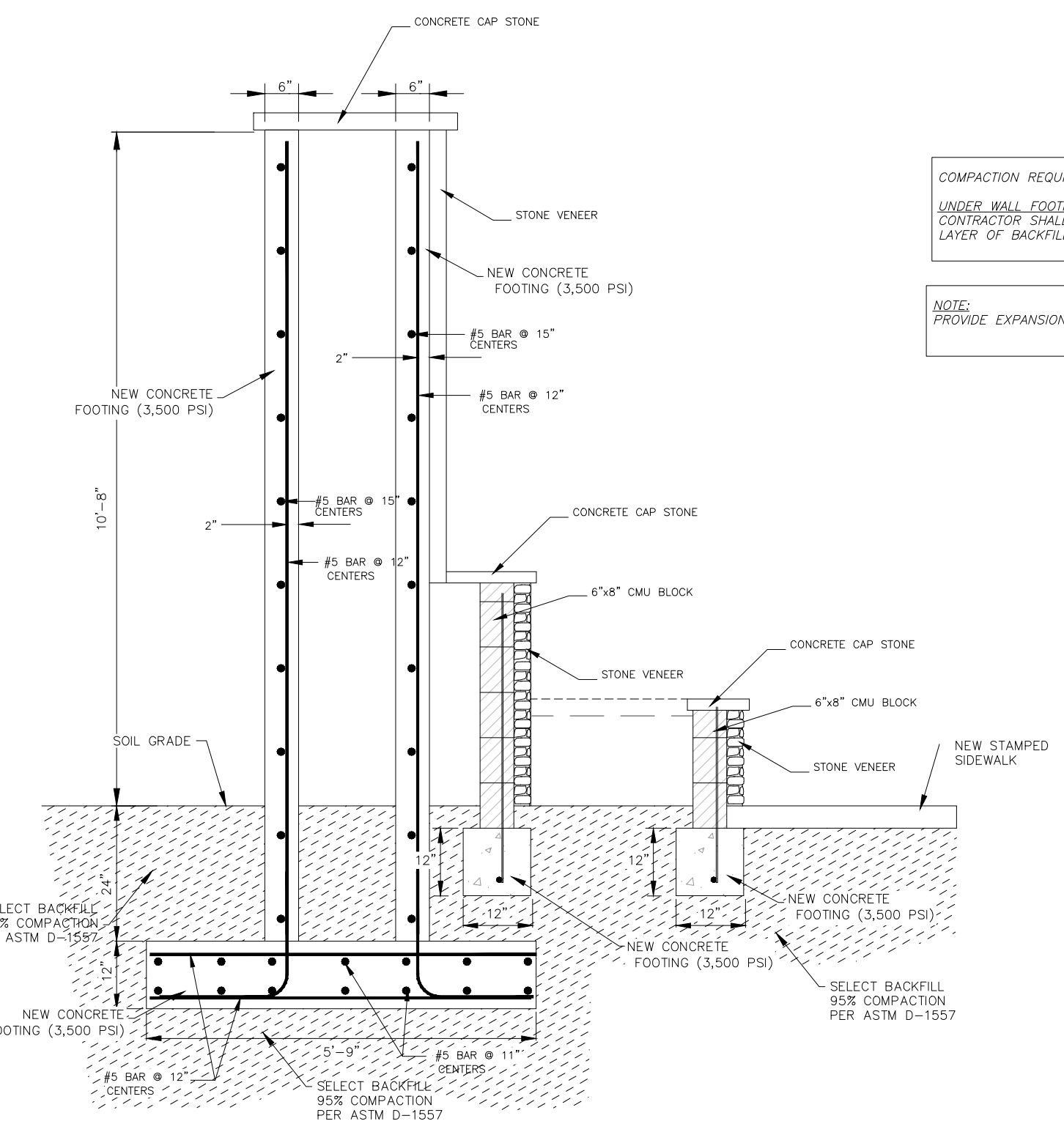
NOTES :

- 1.0 CURING:  
PROTECT FRESHLY PLACED CONCRETE FROM PREMATURE DRYING AND EXCESSIVE COLD OR HOT TEMPERATURES. IN HOT, DRY, AND WINDY WEATHER, APPLY AN EVAPORATION-CONTROL COMPOUND ACCORDING TO MANUFACTURERS INSTRUCTIONS AFTER SCREEDING AND BULL-FLOATING, BUT BEFORE FLOATING AND TROWELING.
- A. BEGIN INITIAL CURING AS SOON AS FREE WATER DISAPPEARED FROM EXPOSED SURFACES.  
B. CONTINUE CURING UNIFORM CONCRETE SURFACES BY PONDING, CONTINUOUS FOG SPRAYING, CONTINUOUSLY WETTED ABSORPTIVE COVER, OR BY MOISTURE-RETAINING COVER CURING. CURE FORMED SURFACES BY MOIST CURING UNTIL FORMS ARE REMOVED. KEEP CONCRETE CONTINUOUSLY MOIST FOR 7 DAYS.  
C. APPLY MEMBRANE-FORMING CURING COMPOUND TO EXPOSED INTERIOR AND EXTERIOR SLABS, AS SOON AS FINAL FINISHING OPERATIONS ARE COMPLETE. APPLY UNIFORMLY AND IN STRICT ADHERENCE TO MANUFACTURER'S INSTRUCTIONS.
- 2.0 MISCELLANEOUS CONCRETE ITEMS:  
A. GROUT BASE PLATES AND FOUNDATIONS AS INDICATED, USING NONSHRINK GROUT. USE NON-METALLIC GROUT FOR EXPOSED CONDITIONS.

3.0 FIELD QUALITY CONTROL:

- A. SAMPLING: ASTM C 172 (EXCEPT MODIFIED FOR SLUMP TO COMPLY WITH ASTM C 94).  
B. TESTING (FOR EACH CLASS OF CONCRETE):

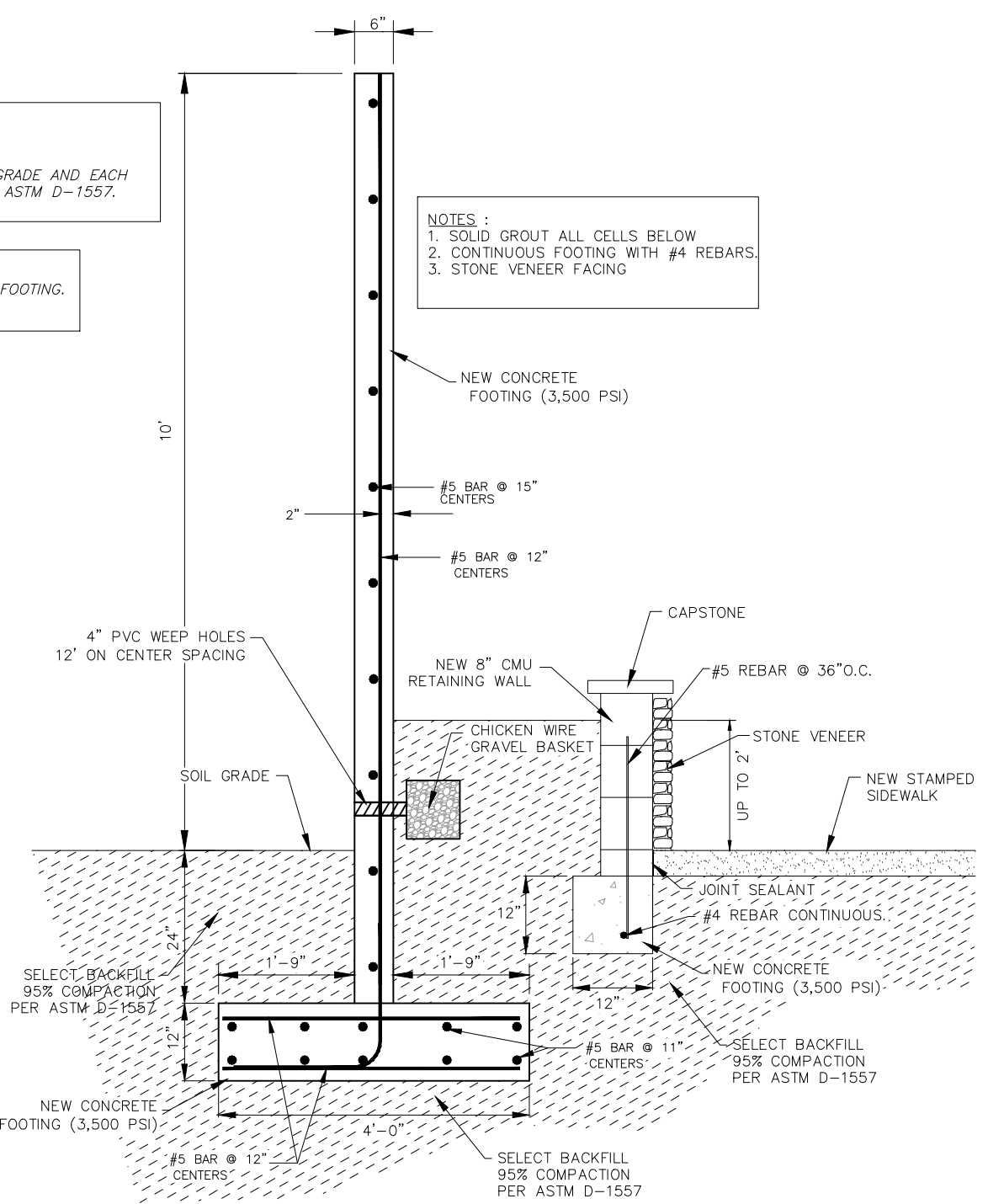
TEST SPECIMENS	C 31	1 SET OF 4 STANDARD CYLINDERS FOR EACH COMPRESSIVE TEST. MOLD & STORE CYLINDERS FOR LABRATORY CURE TEST SPECIMENS AS REQUIRED.
COMPRESSIVE STRENGTH	C 39	1 SET FOR EACH DAY'S POUR EXCEEDING 5 C.Y. PLUS 1 SET FOR EACH 50 CY MORE THAN THE FIRST 25 CY. PLACED IN ANY ONE DAY 1 SPECIMEN RETAINED IN RESERVE FOR LATER TESTING, IF REQUIRED COMPRESSIVE STRENGTH OF CONCRETE WILL BE CONSIDERED SATISFACTORY IF AVERAGE OF SETS OF 3 TEST RESULTS EQUALS OR EXCEEDS SPECIFIED STRENGTH, AND NO INDIVIDUAL TEST RESULT FALLS BELOW SPECIFIED STRENGTH BY MORE THAN 500 PSI.
SLUMP	C 143	1 TEST AT POINT OF DISCHARGE FOR EACH DAY'S POUR OF EACH TYPE OF CONCRETE; ADDITIONAL TEST WHEN CONCRETE CONSISTENCY SEEMS TO HAVE CHANGED.
AIR CONTENT	C 173 OR C 231	1 FOR EACH DAY'S POUR OF EACH TYPE OF AIR-ENTRAINED CONCRETE.
CONCRETE TEMPERATURE	C 1064	1 TEST HOURLY WHEN AIR TEMPERATURE IS 40° F AND BELOW, WHEN 80° F AND ABOVE, 1 TEST FOR EACH SET OF COMPRESSIVE-STRENGTH SPECIMENS



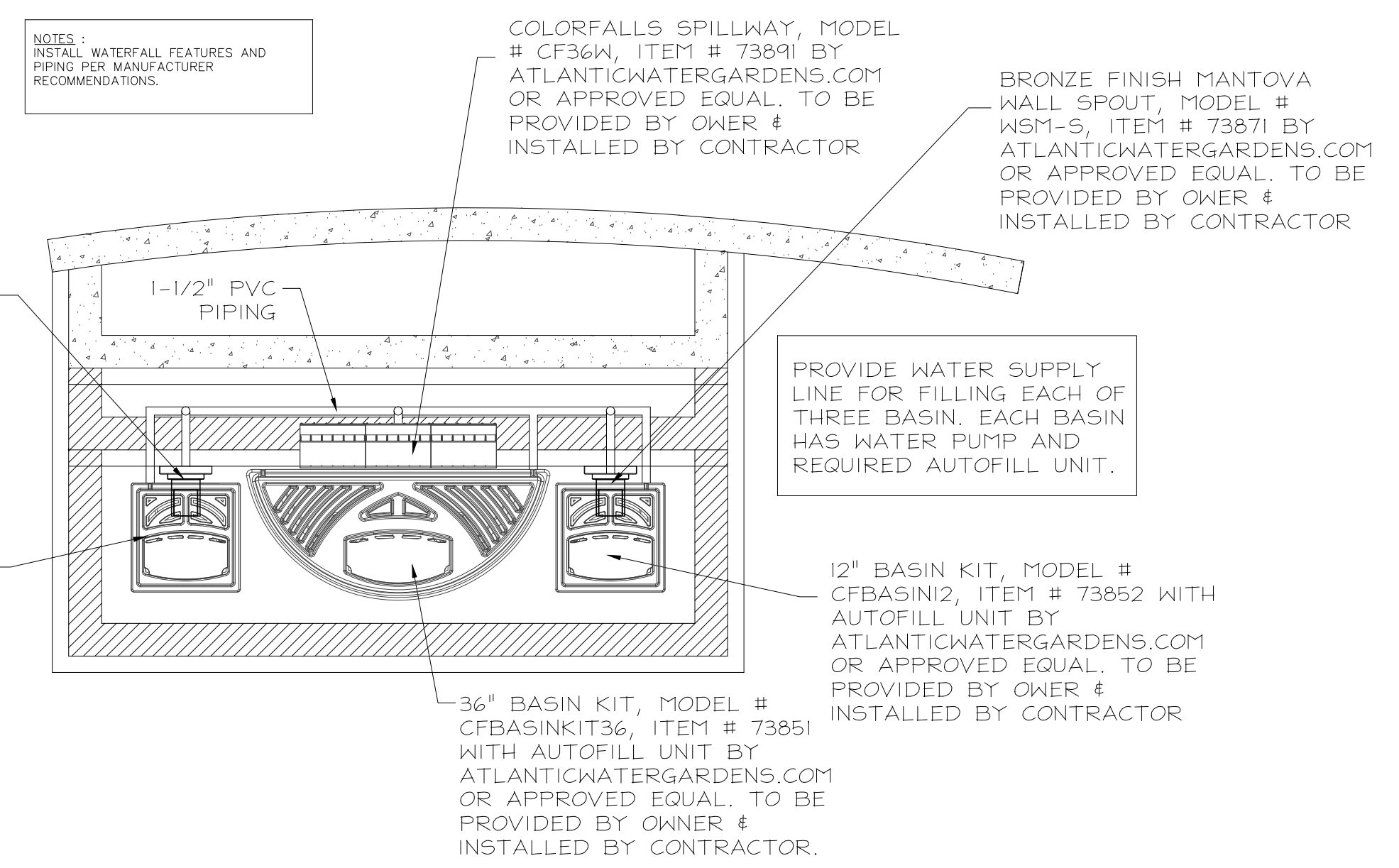
HEALING WALL DETAIL  
SCALE: 1/2"=1'-0"

COMPACTION REQUIREMENTS  
UNDER WALL FOOTINGS  
CONTRACTOR SHALL COMPACT TOP SIX INCHES OF SUBGRADE AND EACH LAYER OF BACKFILL MATERIAL TO 95% DENSITY AS PER ASTM D-1557.

NOTE:  
PROVIDE EXPANSION JOINTS EVERY 20 FEET, INCLUDING FOOTING.



HEALING WALL DETAIL  
SCALE: 1/2"=1'-0"

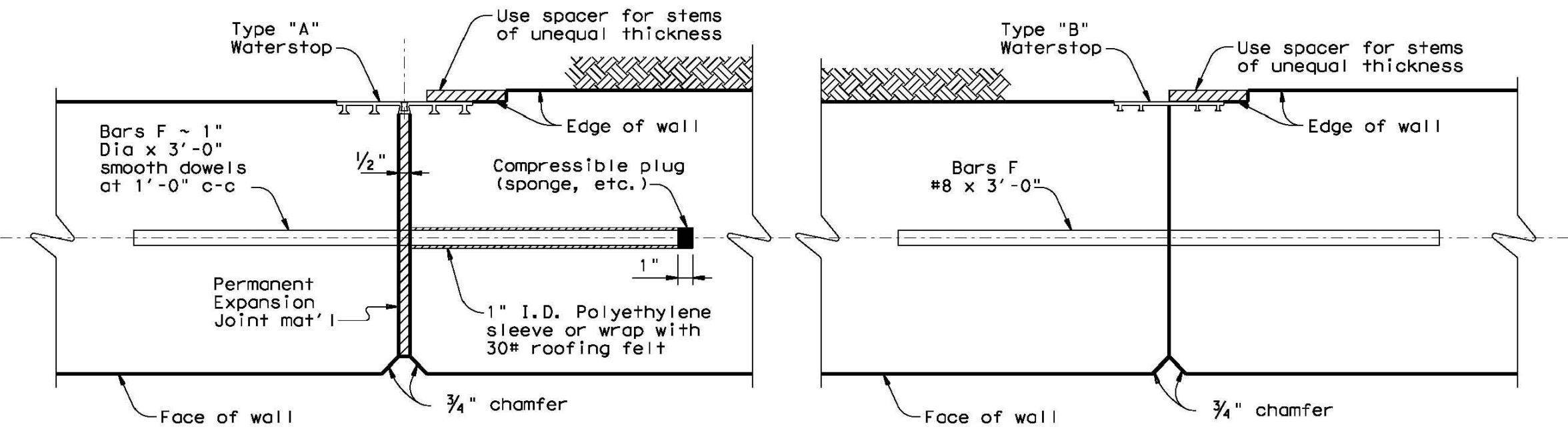


HEALING WALL WATER FEATURE DETAILS  
SCALE: 1/2"=1'-0"

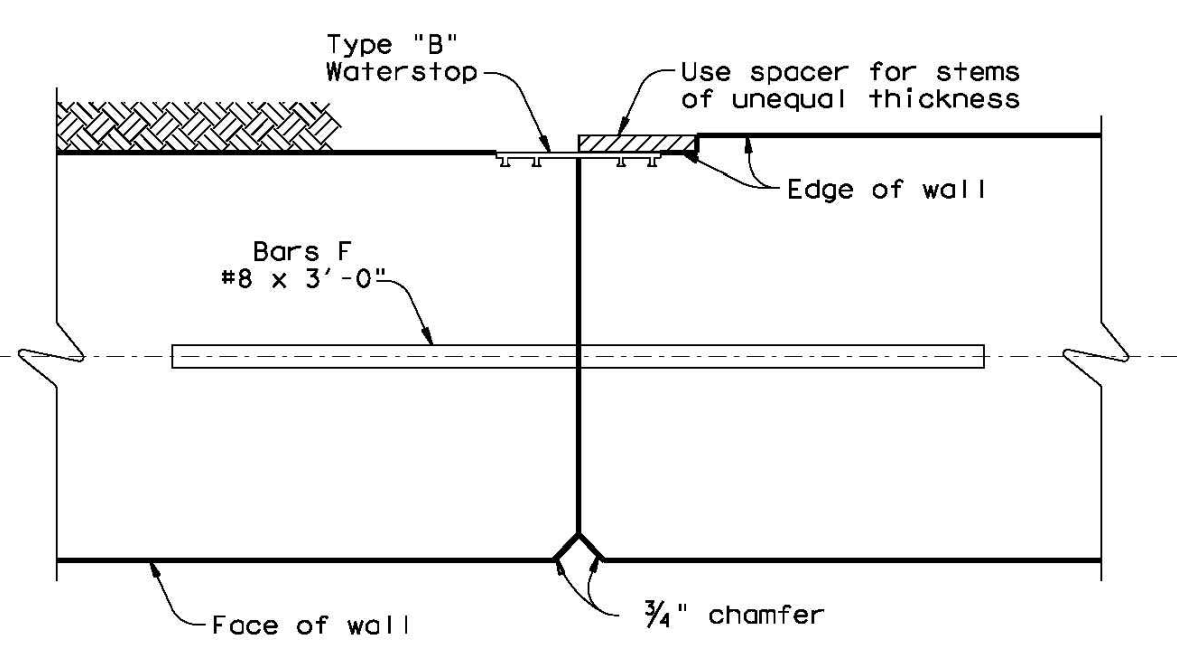
BRONZE FINISH MANTOVA WALL SPOUT, MODEL # WSM-5, ITEM # 73871 BY ATLANTICWATERGARDENS.COM OR APPROVED EQUAL. TO BE PROVIDED BY OWNER & INSTALLED BY CONTRACTOR

12" BASIN KIT, MODEL # CFBASIN12, ITEM # 73852 WITH AUTOFILL UNIT BY ATLANTICWATERGARDENS.COM OR APPROVED EQUAL. TO BE PROVIDED BY OWNER & INSTALLED BY CONTRACTOR

36" BASIN KIT, MODEL # CFBASINKIT36, ITEM # 73851 WITH AUTOFILL UNIT BY ATLANTICWATERGARDENS.COM OR APPROVED EQUAL. TO BE PROVIDED BY OWNER & INSTALLED BY CONTRACTOR.



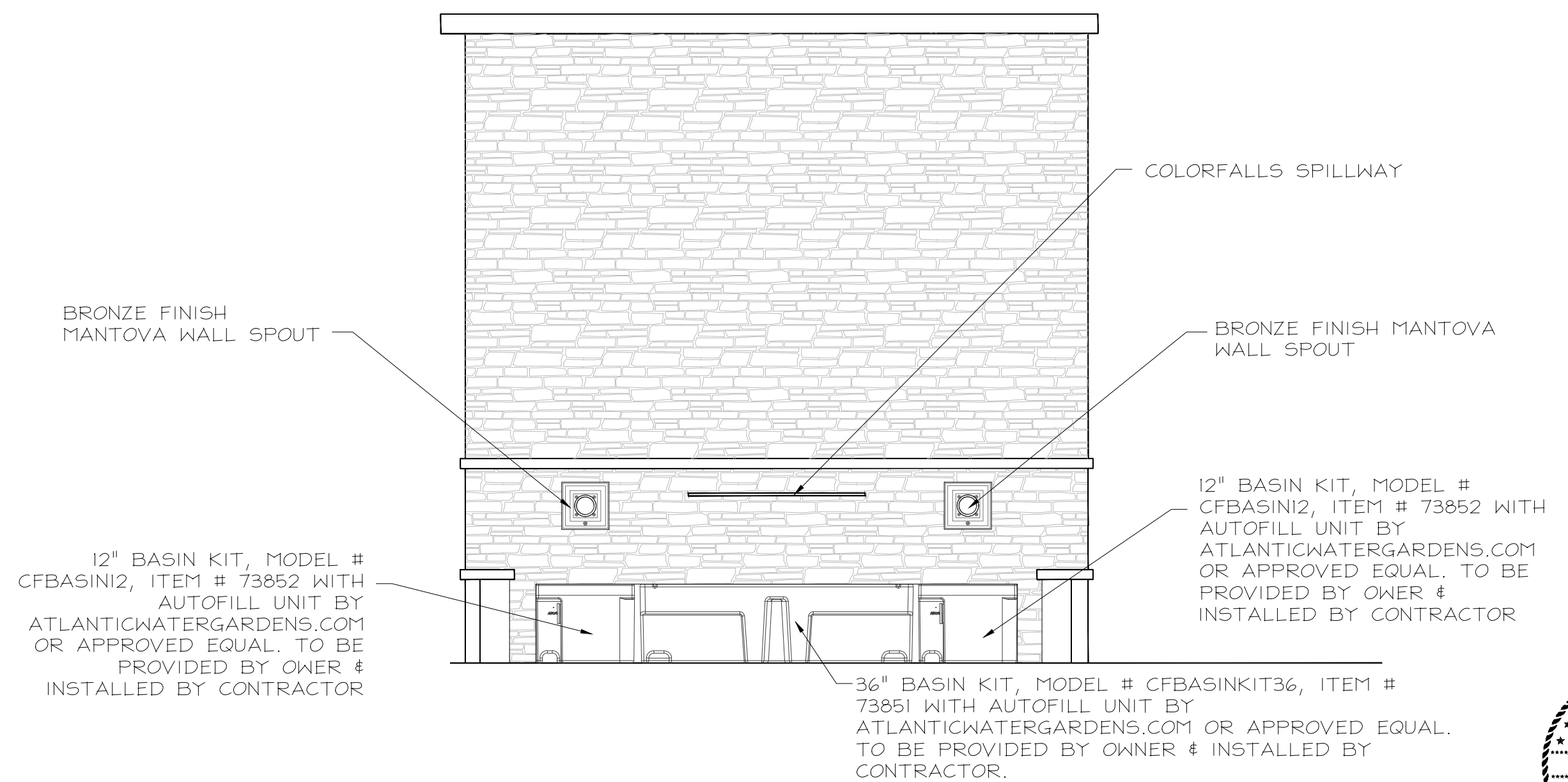
EXPANSION JOINT  
EXPANSION JOINT  
(40' SPACING)



CONSTRUCTION JOINT  
CONSTRUCTION JOINT  
(20' SPACING)

CONCRETE JOINT DETAILS

N.T.S.



HEALING WALL WATER FEATURE FRONT VIEW  
SCALE: 1/2"=1'-0"

REFERENCES: --- BENCHMARKS: ---

SCALE: 1/2"=1'-0"  
HOR. --- 1/2"=1'-0"

DATE: ---  
DESIGN BY: ---  
DRAWN BY: ---  
CHKD BY: ---  
APPD. BY: ---

PROJECT NAME: ASCARATE PARK MEMORIAL  
6900 Delta Drive

COUNTY OF EL PASO  
PUBLIC WORKS DEPARTMENT

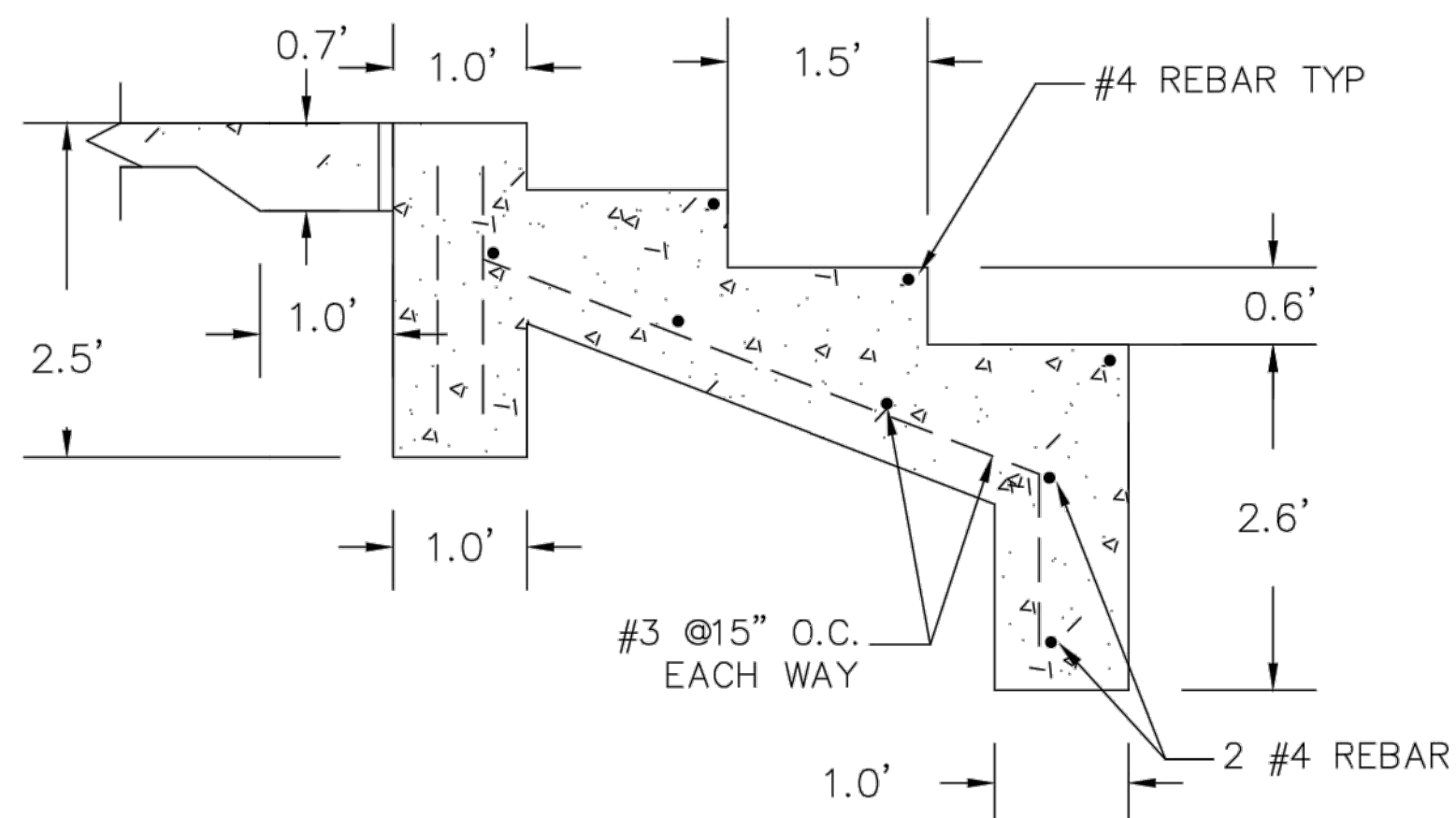
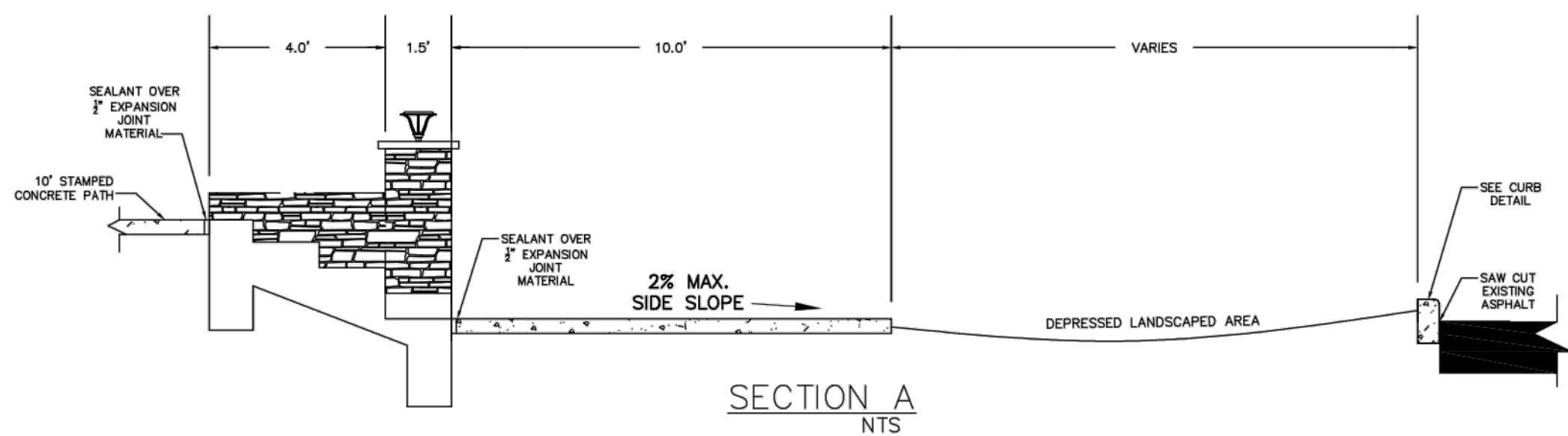
THE COUNTY OF EL PASO TEXAS

SHEET TITLE: DETAILS

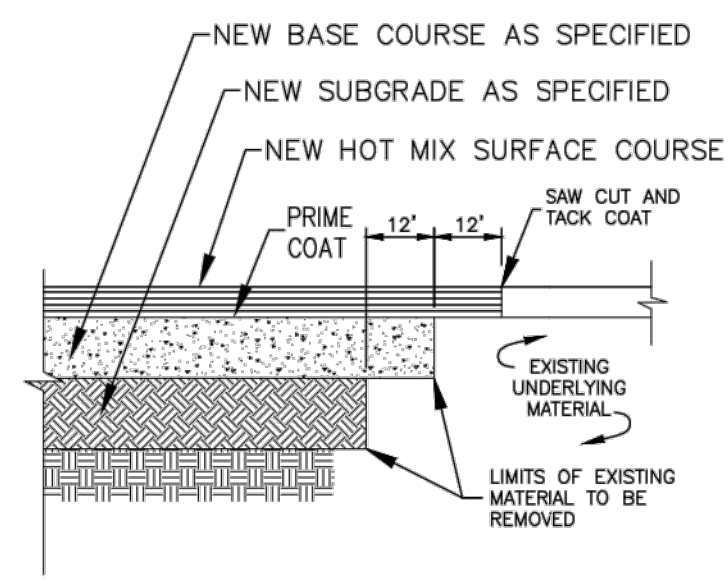
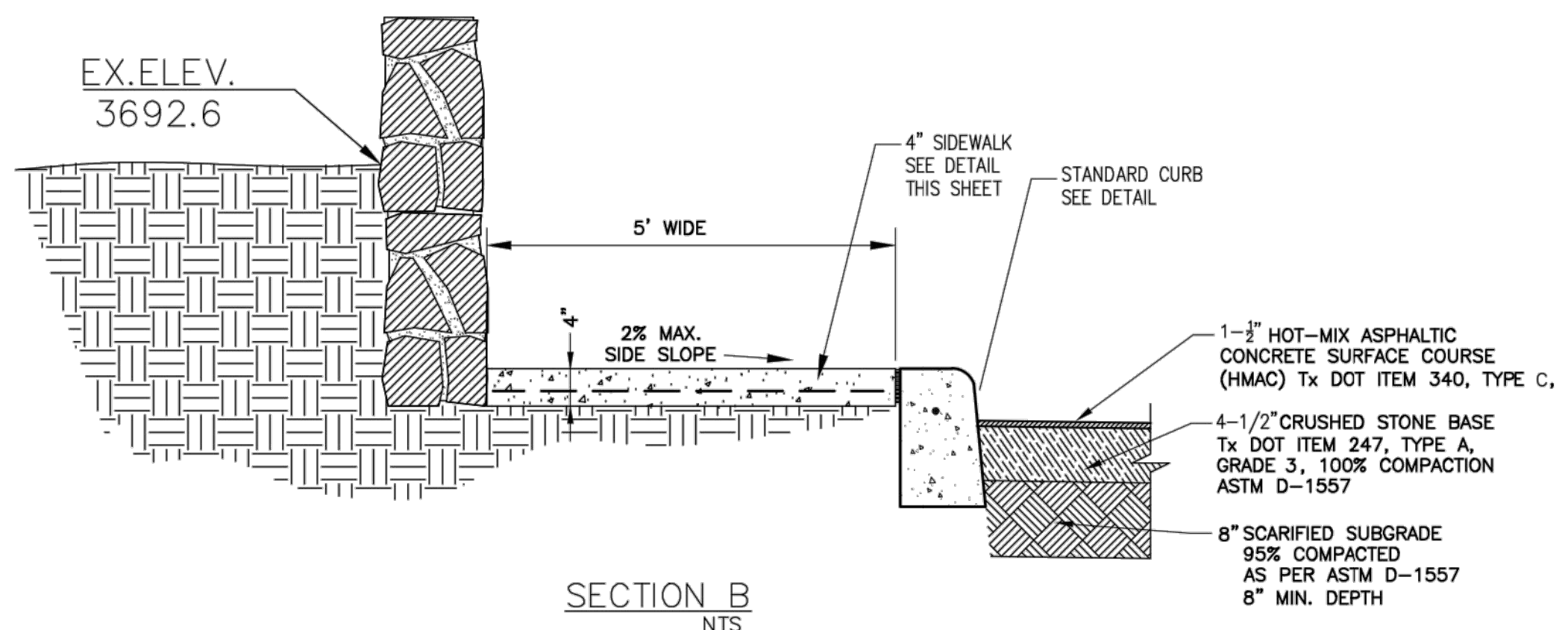
SHEET 5 OF 6

PROFESSIONAL ENGINEER  
ADRIAN ALVARADO  
93718

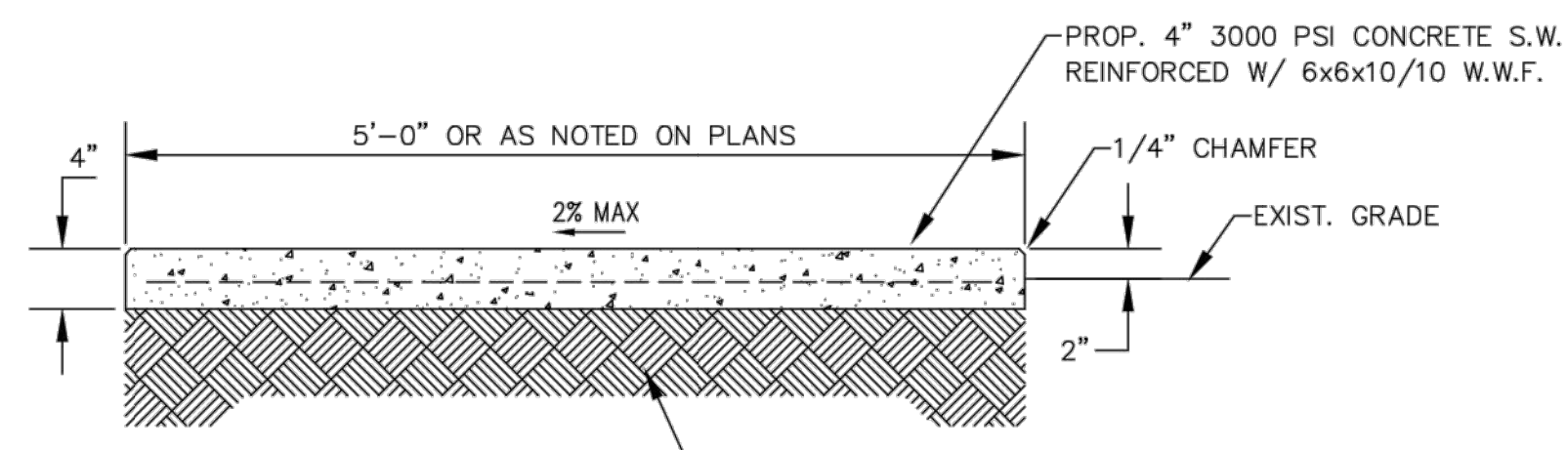




CONCRETE STAIRS  
NTS



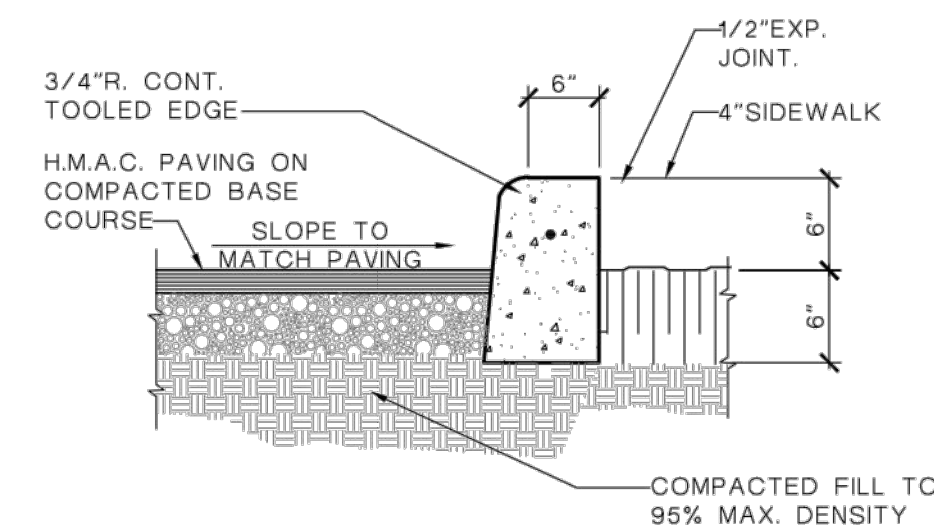
JUNCTURE OF NEW FLEXIBLE  
AND EXISTING PAVEMENT  
NTS



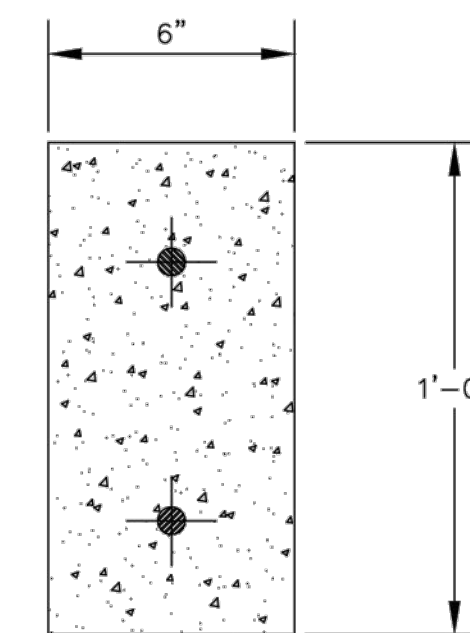
SIDEWALK DETAIL  
NTS

NOTES:

1. CONCRETE SHALL BE 3000 PSI MINIMUM.
2. CONTROL JOINT REQUIRED AT 5' O.C. FOR SIDEWALKS OR AS SHOWN ON THE PLANS.
3. CONTROL JOINTS SHALL BE 1/8" THICK AND 1" DEEP.
4. EXPANSION JOINT MATERIAL REQUIRED @ 20' O.C. FOR SIDEWALKS OR AS SHOWN ON PLANS.
5. DO NOT CROSS REINFORCEMENT THRU EXPANSION MATERIAL.
6. PROVIDE EXPANSION JOINT MATERIAL WHERE SIDEWALKS MEET, EXISTING SIDEWALKS AND CURBS.



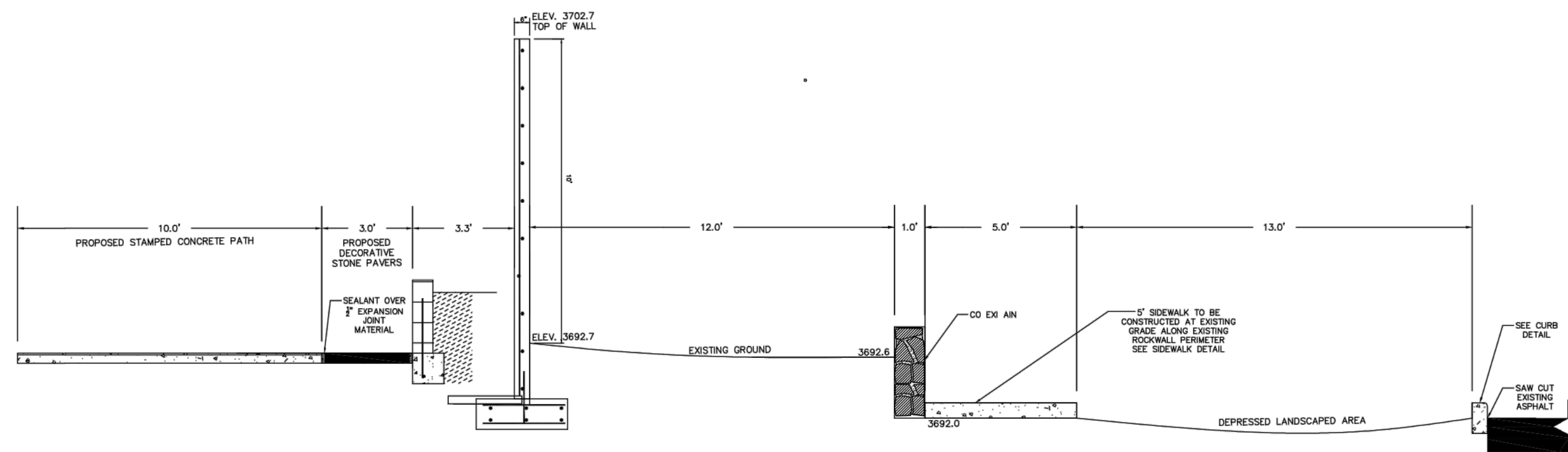
CURB DETAIL  
NTS



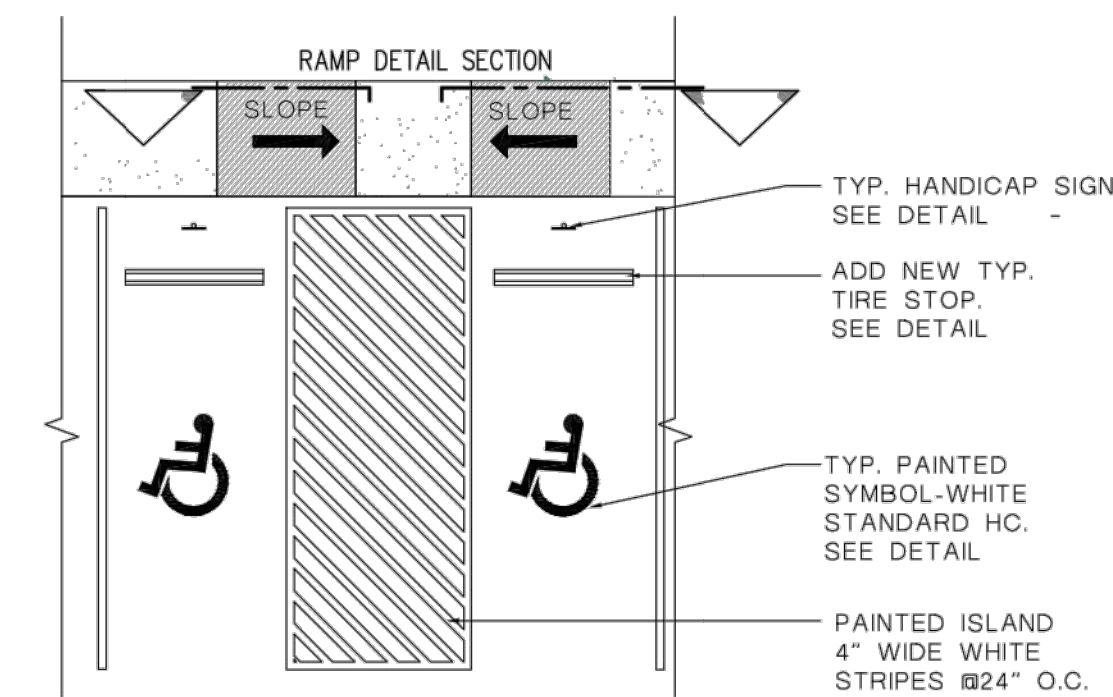
HEADER CURB DETAIL  
NTS

NOTES:

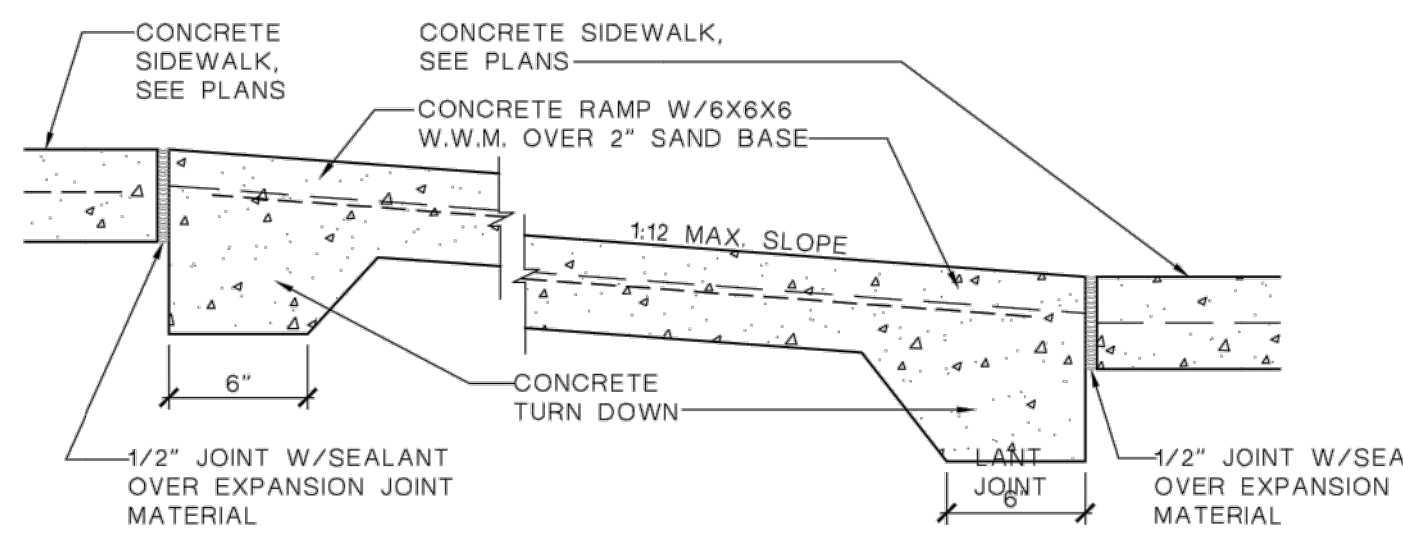
1. HEADER CURBS SHALL BE 3,000 PSI CONCRETE STRENGTH.
2. HEADER CURBS HAND POURED AND PLACED SHALL INCLUDE:
  - (a) 2 CONTINUOUS #4 REBARS.
  - (b) WITH 1/2 INCH EXPANSION JOINTS EVERY 20.0 FEET AND CONTROL JOINTS EVERY 5.0 FEET, AND A BROOM FINISH.
3. HEADER CURBS MACHINE INSTALLED SHALL INCLUDE:
  - (a) 2.0 POUNDS OF LONG FIBERGLASS MESH CUBIC YARD.
  - (b) WITH 1/2 INCH EXPANSION JOINTS EVERY 20.0 FEET AND CONTROL JOINTS EVERY 5.0 FEET, AND A BROOM FINISH.



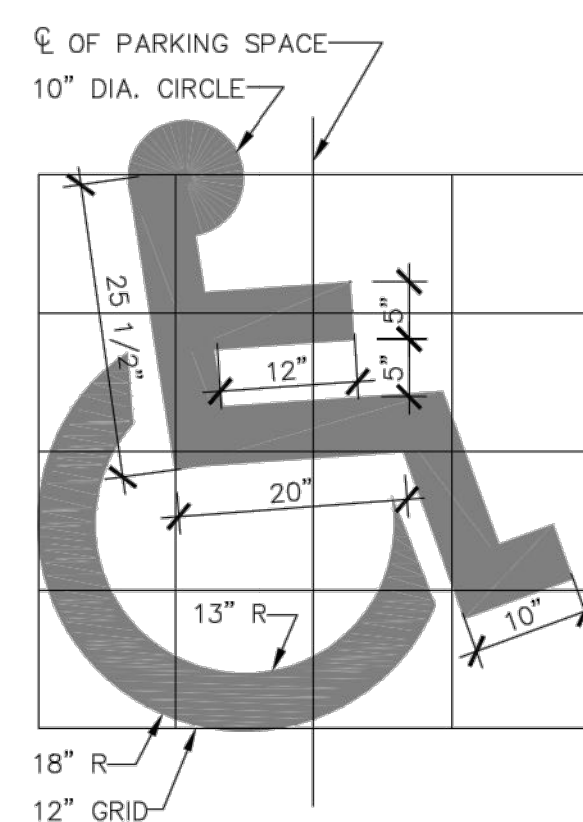
SECTION C  
SCALE: 1"=5'



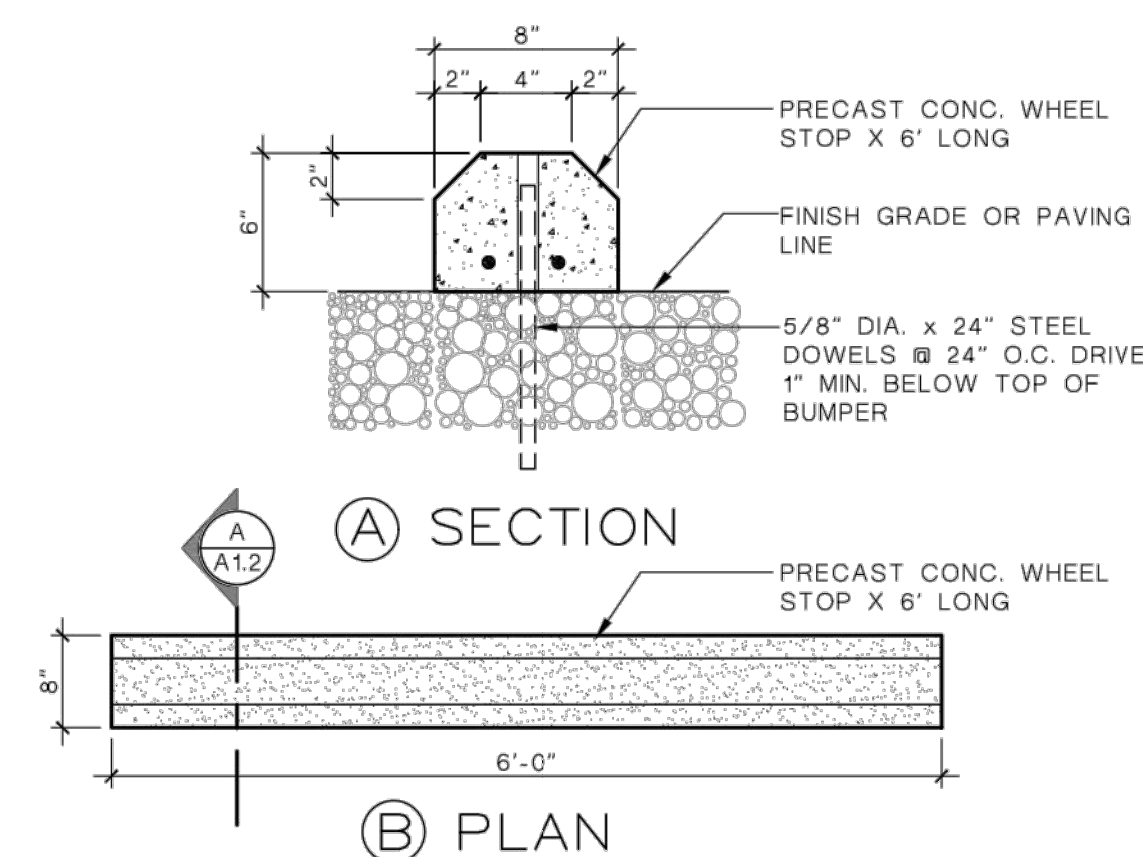
ACCESSIBLE STRIPING DETAIL  
NTS



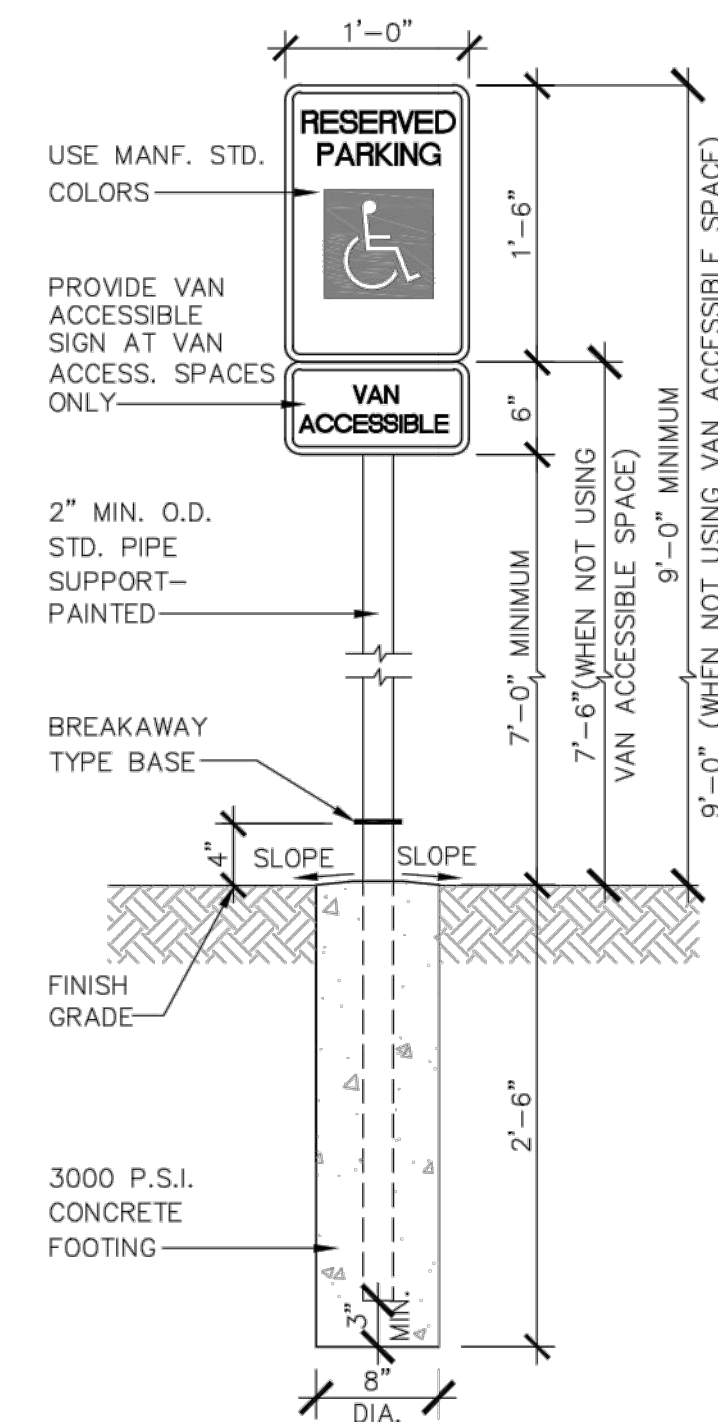
RAMP SECTION DETAIL  
NTS



H/C PARKING SIGN  
NTS



CONCRETE WHEEL STOP  
NTS



TYPICAL H/C SIGN  
NTS

REFERENCES: ---	BENCHMARKS: ---
DATE: _____	REVISIONS: _____
BY: _____	DATE: _____
SCALE: _____	DATE: _____
PROJECT NAME: <b>ASCARATE PARK MEMORIAL</b> <b>6900 Delta Drive</b>	
DRAWN BY: _____	
CHECKED BY: _____	
APPROVED BY: _____	
COUNTY OF EL PASO PUBLIC WORKS DEPARTMENT	
SHEET TITLE: <b>SECTIONS &amp; DETAILS</b>	
SHEET <b>6</b> OF <b>6</b>	

